

ASSEMBLY INSTRUCTIONS BERLIN FABRIC OTTOMAN 4'6 BED

IMPORTANT: READ THESE INSTRUCTIONS CAREFULLY BEFORE ASSEMBLING OR USING YOUR BERLIN FABRIC OTTOMAN 4'6 BED FRAME.

PLEASE KEEP THESE INSTRUCTIONS FOR FUTURE REFERENCE.

HEALTH & SAFETY:

DO NOT jump on this bed frame.

DO NOT use this bed frame if any parts are missing, damaged or worn.

DO NOT use this bed frame unless all fixings are secured.

Please keep small parts out of reach of children.

Always use on a level, even surface.

WARNING: If this bed is placed on a non-carpeted floor you must place some protection under all legs to stop the bed frame from moving. If this is not adhered to there is no guarantee if the bed frame collapses.

WARNING: Take care when assembling the base, assemble the ottoman as close to its final position. The Ottoman has a powerful mechanism and after assembly should only be opened when the mattress is in place.

CARE & MAINTENANCE:

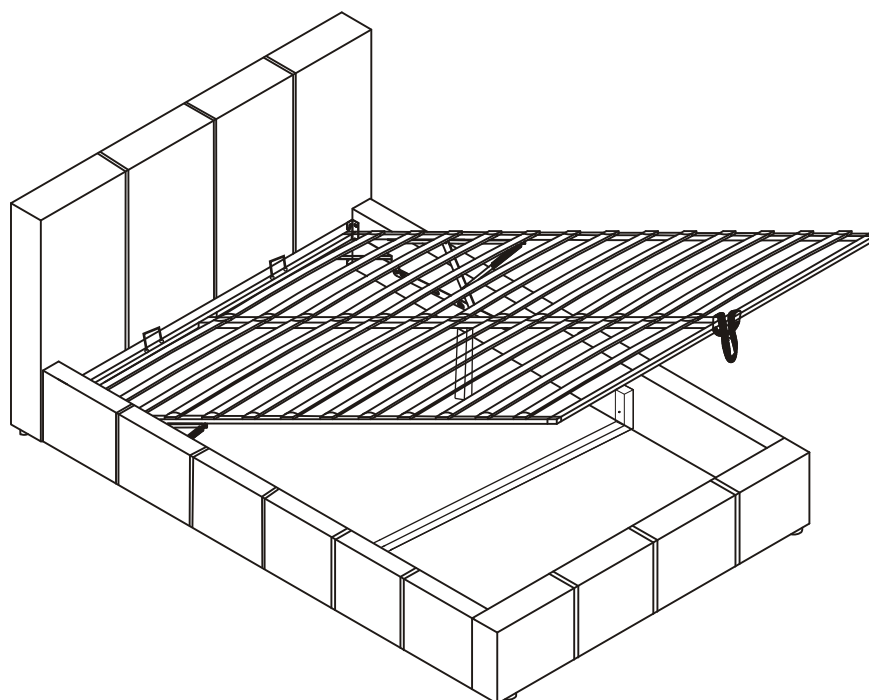
Assemble in the room of use.

Periodically check all screws & fixings to ensure they are secure.

DO NOT push the bed frame as this will damage the legs.







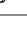

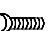


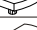


Always lift the bed with two people to reposition.

Keep any sharp objects away from the frame.



PARTS LIST

HARDWARE LIST(Found in box1)

No	Item	Box	Qty	No	Item	Qty
1	Wooden Block	1	1	A	M5 Allen Key 	1
2	Footboard	1	1	B	Bolts (M8x30mm) 	8
3	Headboard	1	1	C	Spring Washer (M8) 	8
4	Side Rails	2	2	D	Flat Washer (M8x22mm) 	8
5	Cross Bar	1	1	E	Nuts (M8x13mm) 	12
6	Centre Support Bar	2	1	F	Spanner (13) 	1
7	Corner Bracket with Pad	1	4	G	Bolts (M6x16mm) 	10
8	Legs	1	4	H	Bolts (M8x40mm) 	6
9	Slats	1	26	I	M4 Allen Key 	1
10	Support Legs	1	1	J	Bolts (M8x16mm) 	4
11	Metal Hook	1	2	K	Bolts (M8x65mm) 	4
12	Pull Strap	1	1	L	Bolts (M8x45mm) 	4
13	Woven Fabric	1	1	M	Plastic Slat Caps 	26
14	Front Frame Rail	1	1	N	Centre Slat Caps 	13
15	Back Frame Rail	1	1			
16	Left Frame Rail	2	1			
17	Right Frame Rail	2	1			
18	Cross Support Bar	1	2			

The slats come in the zip compartment in the headboard.

To fix the legs(8) to the headboard(3) and footboard(2).

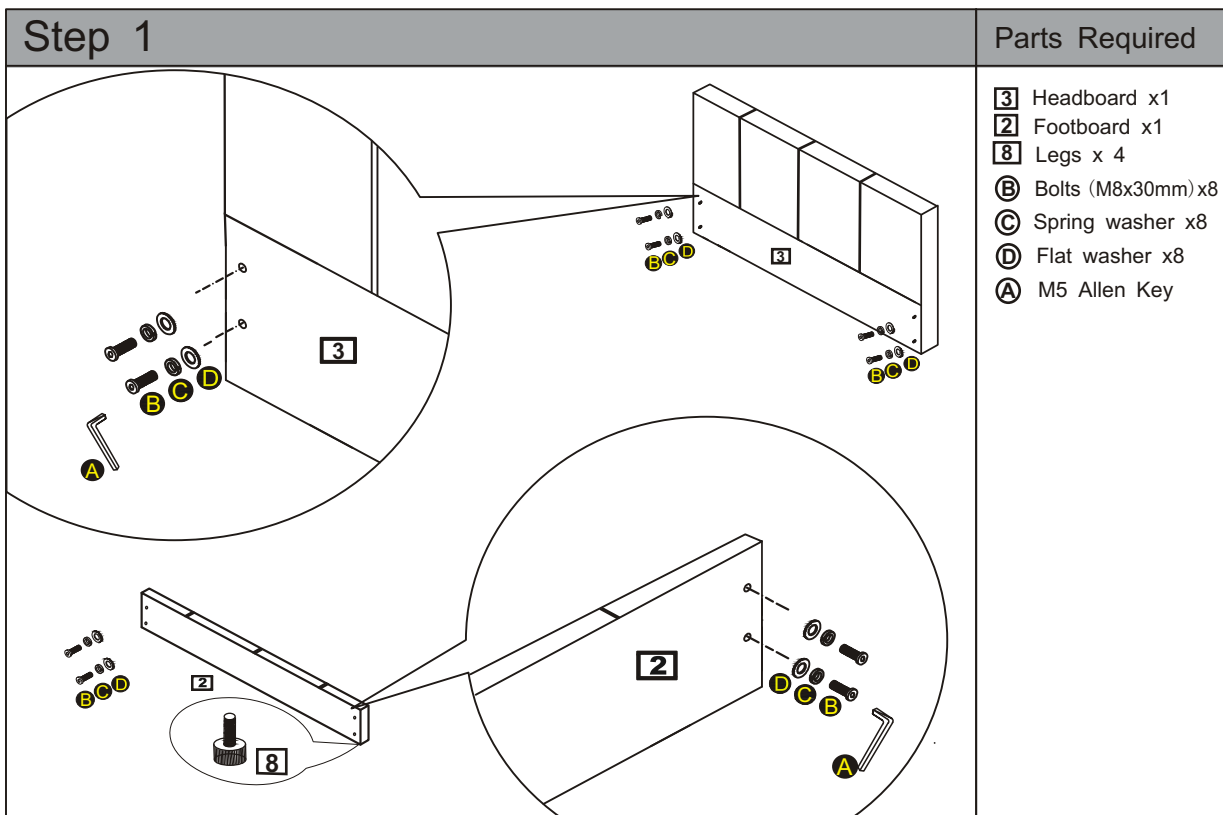
To fix the side rails(4) to the headboard(3) and footboard(2) you will need to use hardware parts B, C, D with the M5 allen key(A). **DO NOT FULL TIGHTEN AT THIS STAGE.**

To fix the wooden block(1) to the footboard(2) you will need to use hardware parts L with the M5 allen key(A).

To attach the corner bracket with pad(7) to the headboard(3), footboard(2) and side rails(4) you will need to use hardware parts G and the M4 allen key.

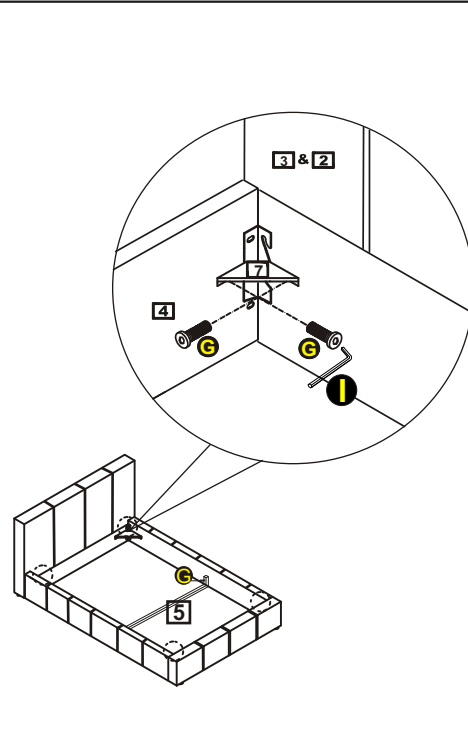
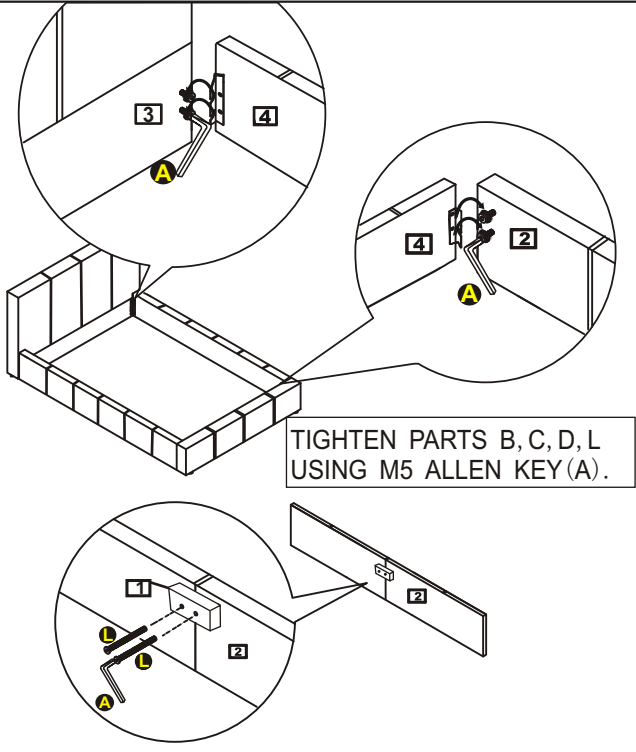
To fix the cross bar(5) to the side rails(4) you will need to use hardware G With M4 allen key(I).

DO NOT USE ANY POWER TOOLS AS THIS MAY DAMAGE THE BED FRAME AND WILL INVALIDATE ANY CLAIMS.



Step 2

Parts Required



- 3** Headboard x1
- 2** Footboard x1
- 4** Side rail x 2
- 1** Wooden Block x 1
- 7** Corner Bracket with Pad x 4
- 5** Cross Bar
- G** Bolts (M6x16mm) x10
- L** Bolts (M8x45mm)x 2
- I** M4 Allen Key
- A** M5 Allen Key

TIGHTEN PARTS B, C, D, L USING M5 ALLEN KEY (A).

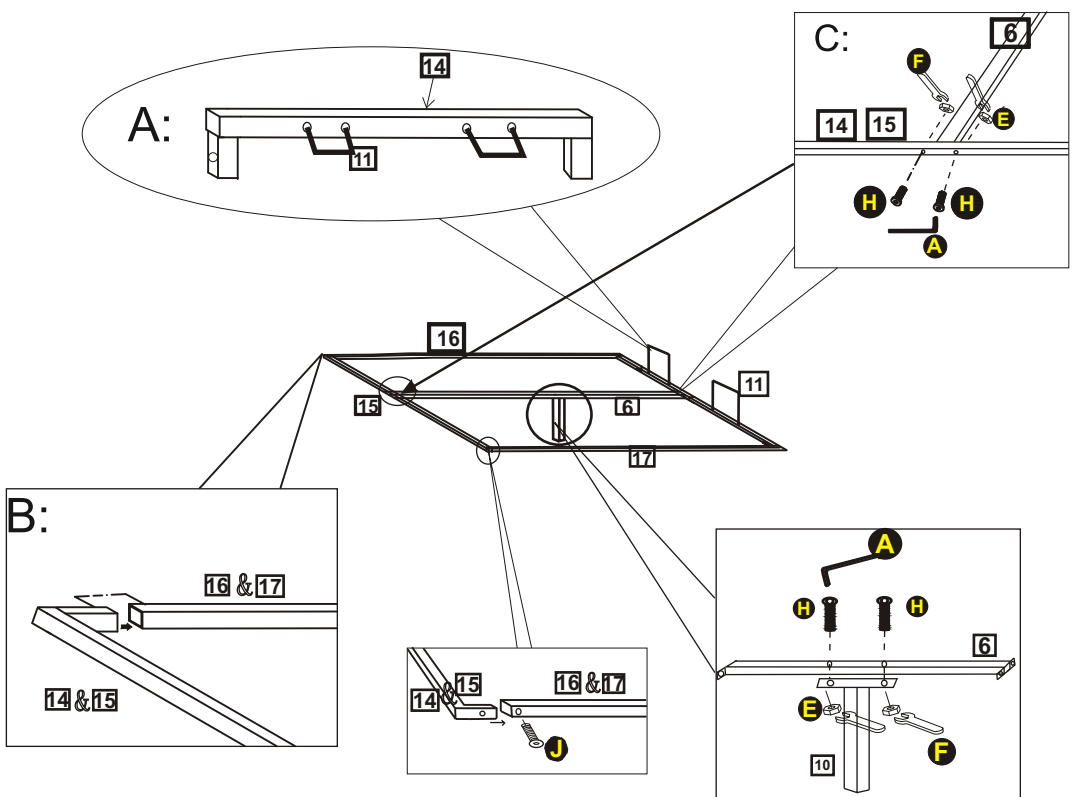
MAKE CERTAIN THE BED IS SQUARE AS SHOWN.
 Note: THEN tighten all bolts 100% using allen key

To attach the front frame rail (14) and back frame rail (15) to the left frame rail (16) and right frame rail (17), you will need hardware parts J with the M5 allen key (A).
 To attach the centre support bar (6) to the front frame rail (14) and back frame rail (15), you will need hardware parts H and E with the M5 allen key and the M14 spanner (F).
 To attach the support leg (10) to the centre support bar (6), you will need hardware parts H and E with the M5 allen key (A) and the M14 spanner (F).
 Insert the metal hook (11) to the front frame rail (14).

DO NOT use any power tools as this may damage the bed frame and will invalidate any claims.

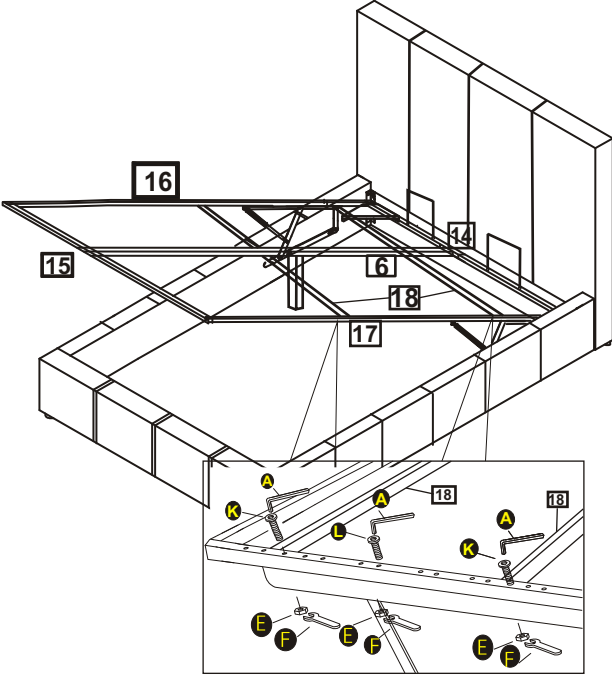
Step 3

Parts Required



- 14** Front Frame Rail x1
- 15** Back Frame Rail x1
- 6** Centre Support Bar x1
- 10** Support Legs x1
- 11** Metal Hook x2
- 16** Left Frame Rail x1
- 17** Right Frame Rail x1
- H** Bolts (M8x40mm) x6
- E** Nuts (M8x13mm) x6
- F** Spanner (13) x1
- A** M5 Allen Key x1
- J** Bolts (M8x16mm) x4

To attach the metal frame(14/15/16/17) and cross support bar(18)to the gas lift pre-fixed to the side rails, you will need to use hardware parts K, E and L with the M5 allen key(A) and the M14 spanner(F).

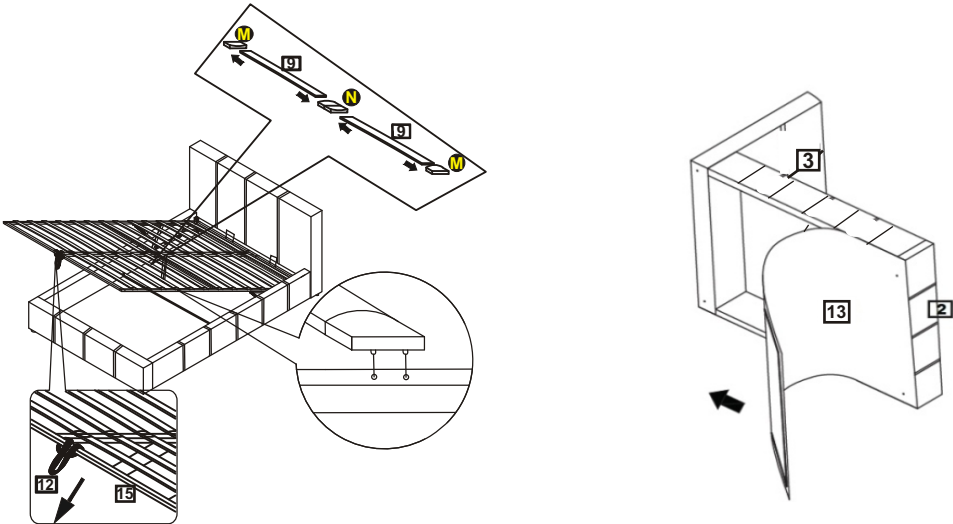
Step 4	Parts Required
	<ul style="list-style-type: none"> 18 Cross Support Bar x2 K Bolts (M8x65mm)x4 E Nuts (M8x13mm) x6 F Spanner (13) A M5 Allen Key L Bolts (M8x45mm) x2

To attach the pull strap(12) to the back frame rail(15)you will place the pull strap (12) beneath the metal frame and then pull the strap on the inner side of the frame through the strap on the outer side of the frame to form a knot.

To assemble the slats(9) place a single plastic cap(M) onto each end of every slat then you need to push centre slat caps(N) into the metal frame.

Tilt the bedframe on to its side and attach the fabric base(13).

DO NOT use any power tools as this may damage the bed frame and will invalidate any claims.

Step 5	Parts Required
	<ul style="list-style-type: none"> 12 Pull Strap x1 9 Slats X26 M Plastic Slat Caps x26 N Centre Slat Caps x13 13 Woven Fabric x1

Additional Information:

- For complete product information, images and dimension diagrams please visit the website www.birlea.com
- If you have any issues with your item please contact the retailer directly you purchased it from who will be able to resolve any issues with Birlea.
- Why don't you send us photos of your assembled furniture to info@birlea.com to be shared in our #birleahome feature on Instagram.