

ASSEMBLY INSTRUCTIONS **CANTERBURY 4'**

IMPORTANT: READ THESE INSTRUCTIONS CAREFULLY BEFORE ASSEMBLING OR USING YOUR CANTERBURY 4' BED FRAME.

PLEASE KEEP THESE INSTRUCTIONS FOR FUTURE REFERENCE.

HEALTH & SAFETY :

DO NOT jump on this bed frame.

DO NOT use this bed frame if any parts are missing, damaged or worn.

DO NOT use this bed frame unless all fixings are secured.

Please keep small parts out of reach of children.

Always use on a level, even surface.

WARNING: If this bed is placed on a non-carpeted floor you must place some protection under all legs to stop the bed frame from moving. If this is not adhered to there is no guarantee if the bed frame collapses.

CARE & MAINTENANCE:

Assemble in the room of use.

Periodically check all screws & fixings to ensure they are secure.

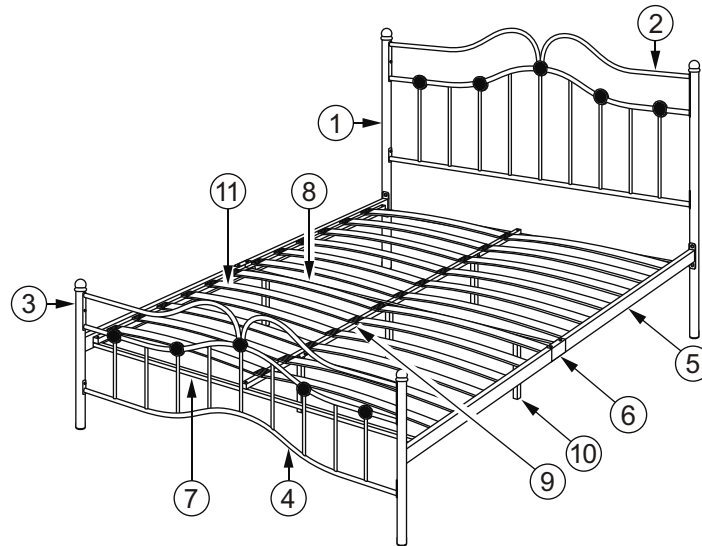
DO NOT push the bed frame as this will damage the legs.









Always lift the bed with two people to reposition.

Keep any sharp objects away from the frame.



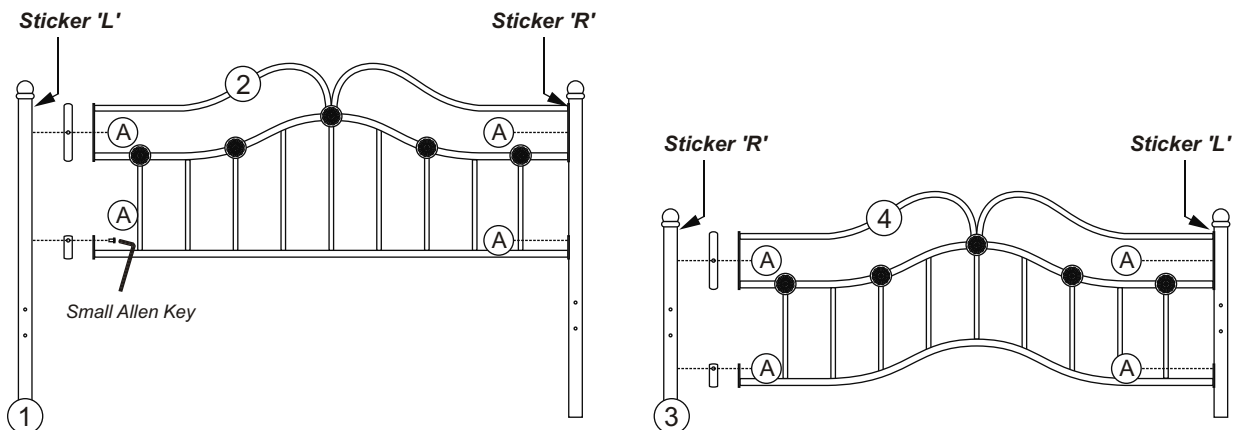
www.birlea.com



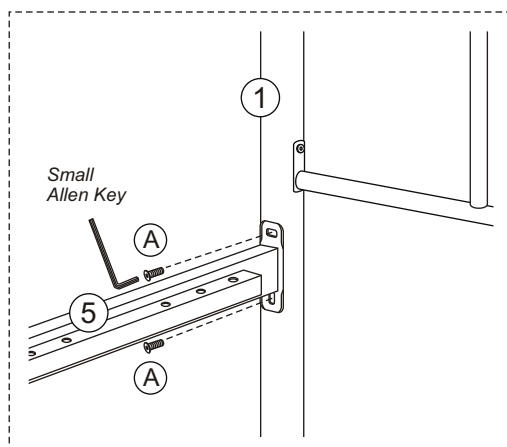
Part List				Hardware List (found in box 1)			
Part	Description	Box	Qty	Part	Description		Qty
1	Headpost	1	02	A	M6 x 16mm JCBC Screw		20
2	Headend	1	01	B	M6 x 60mm JCBC Screw		04
3	Footpost	1	02	C	M6 Nut		14
4	Footend	1	01	D	M6 Cap Nut		04
5	Side Support	1	04	E	M6 x 50mm JCBC Screw		04
6	Centre Support	1	02	F	M6 x 40mm JCBC Screw		10
7	Side Frame	1	02	G	M8 x 50mm JCBC Screw		02
8	Centre Frame	1	01	H	M8 Nut		02
9	Mid Support	1	02	I	Double Slat Cap		12
10	Base Leg	1	05	J	Single Slat Cap		24
11	Slat	1	24	K	10mm Spanner		01

****M4 Allen Key & M5 Allen Key provided**

Step 1 : Fix the Headpost (1) to the Headend (2), and the Footpost (3) to the Footend (4) using hardware part (A).
DO NOT use any power tools as this may damage the frame and will invalidate any claim.

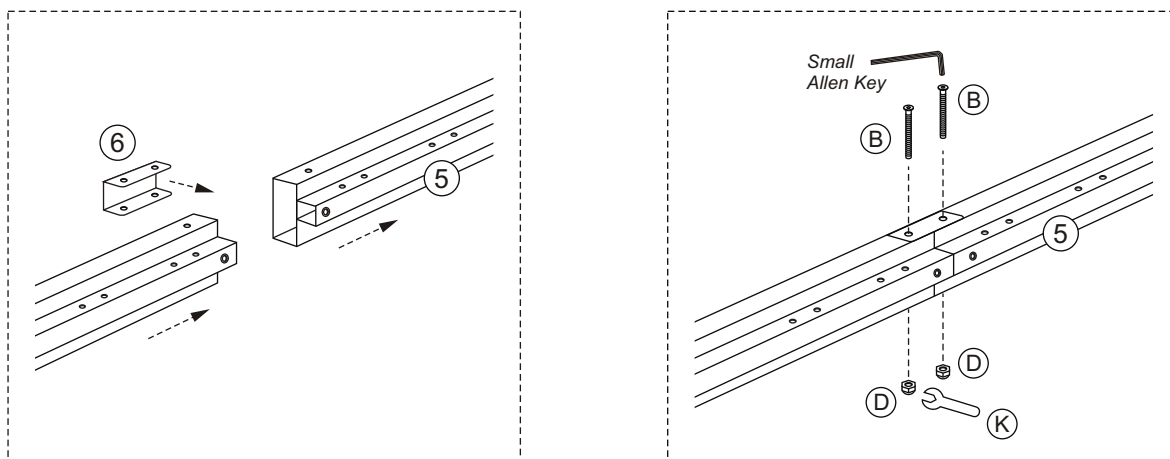


Step 2 : Fix the Side Support (5) to the Headpost (1) and Footpost (3) using hardware part (A).
DO NOT use any power tools as this may damage the frame and will invalidate any claim.



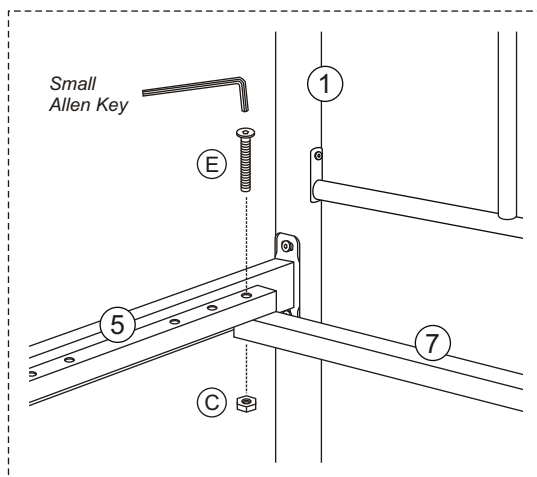
Do not fully tighten the screw yet until Step 7

Step 3 : Join together the Side Support (5) with the Centre Support (6) using hardware parts (B) and (D). Tighten up with 10mm Spanner (K) and Small Allen Key.
DO NOT use any power tools as this may damage the frame and will invalidate any claim.



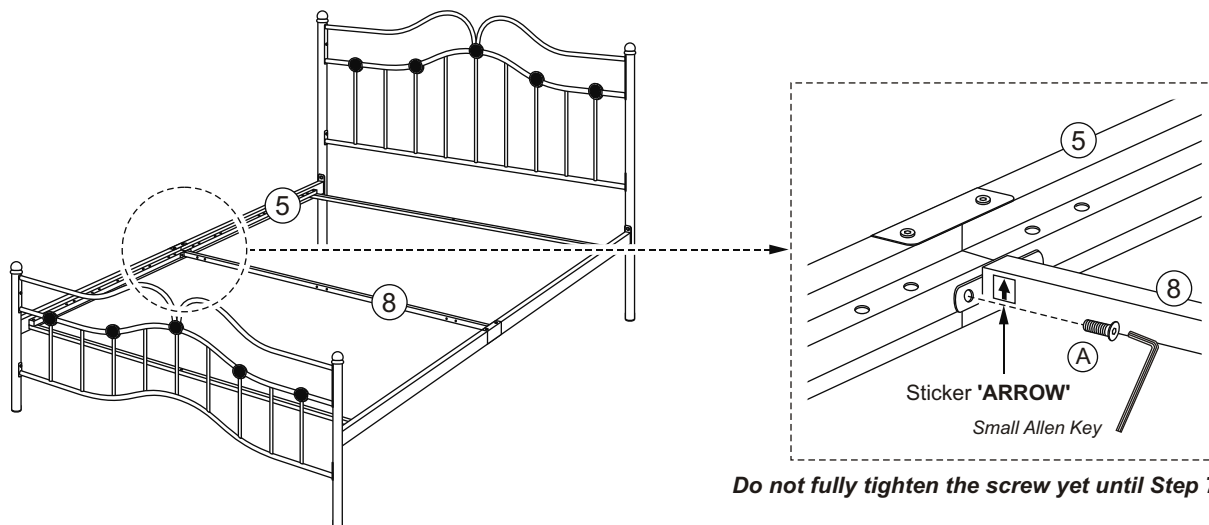
Do not fully tighten the screw yet until Step 7

Step 4 : Place the Side Frames (7) underneath the Side Supports (5) and secure using hardware parts (E) and (C).
DO NOT use any power tools as this may damage the frame and will invalidate any claim.

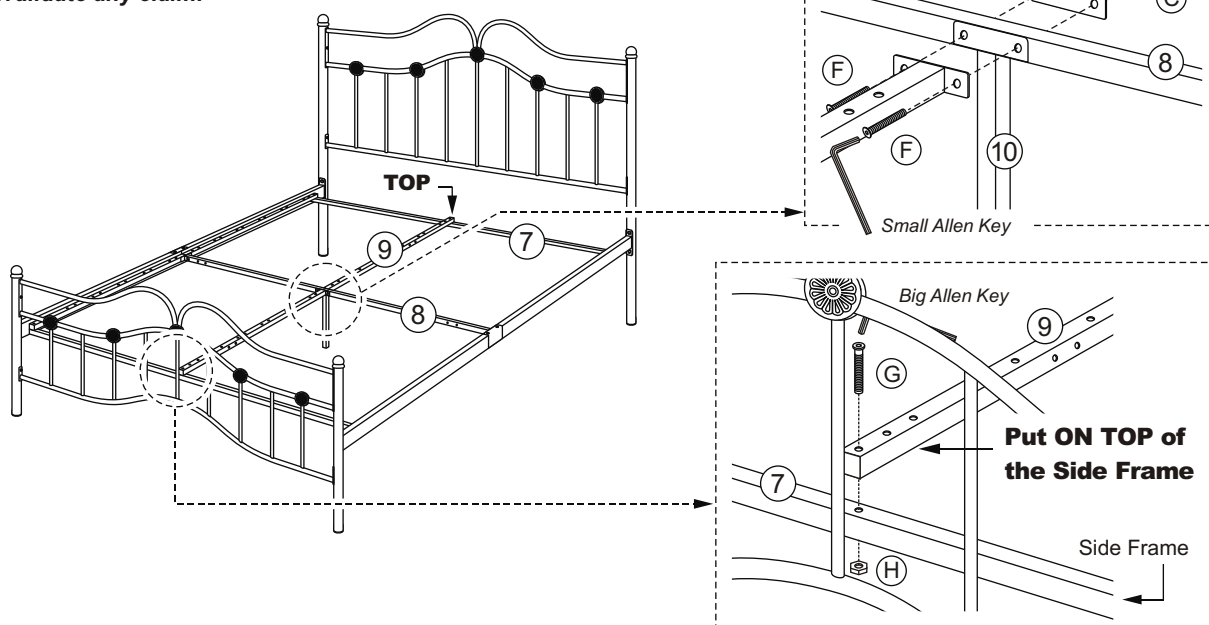


Do not fully tighten the screw yet until Step 7

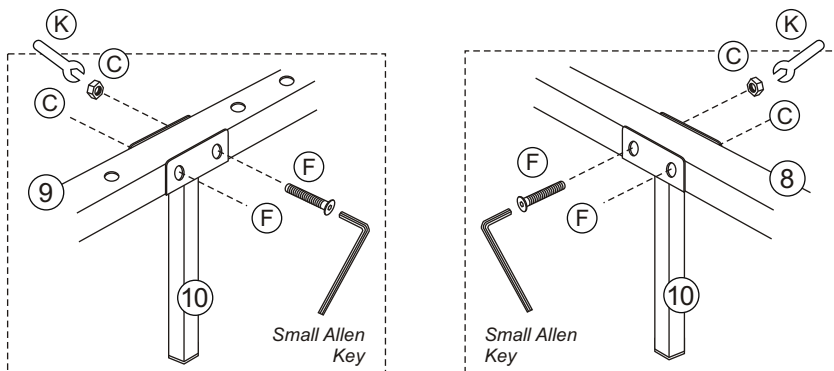
Step 5 : Fix the Centre Frame (8) to the Side Support (5) using hardware part (A). The 'ARROW' sticker need to face up.
DO NOT use any power tools as this may damage the frame and will invalidate any claim.



Step 6 : Fix the Mid Support (9) and Base Leg (10) to the Centre Frame (8) using hardware part (F) & (C) and secure with Small Allen Key & 10mm Spanner (K), then attach the Mid Support (9) to the Side Frame (7) using hardware part (G) & (H) and tighten with Big Allen Key.
DO NOT use any power tools as this may damage the frame and will invalidate any claim.

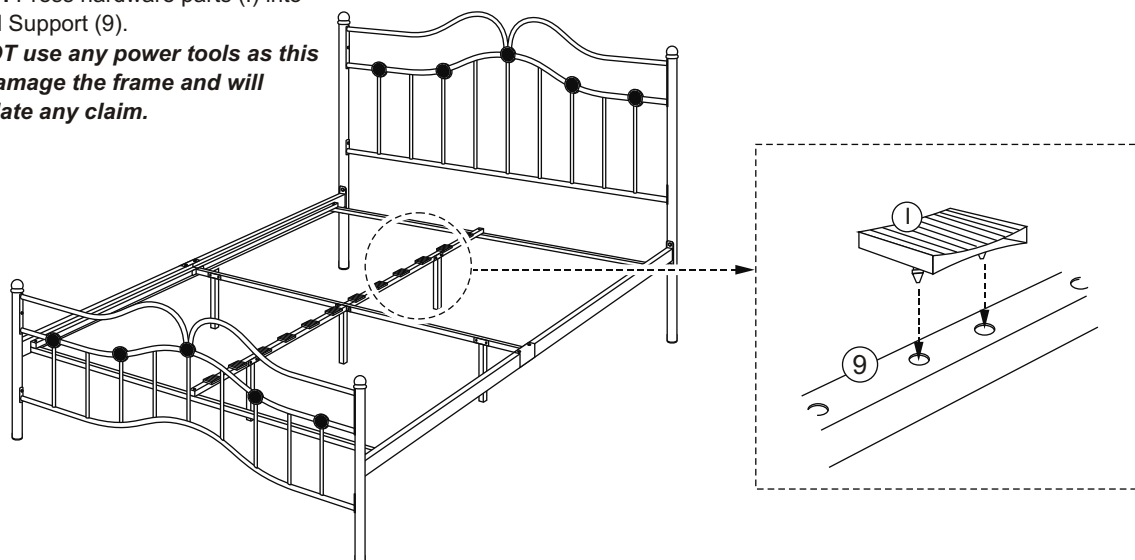


Step 7 : Fix the Base Leg (10) to the Mid Support (9) / Centre Frame (8) using hardware part (F) & (C). Secure using Small Allen Key & Spanner (K). Ensure all the screws are being tighten up properly at this time.
DO NOT use any power tools as this may damage the frame and will invalidate any claim.



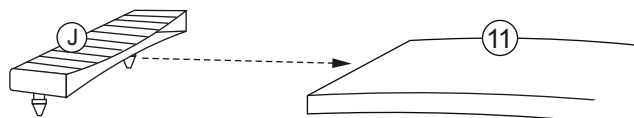
Step 8 : Press hardware parts (I) into the Mid Support (9).

DO NOT use any power tools as this may damage the frame and will invalidate any claim.



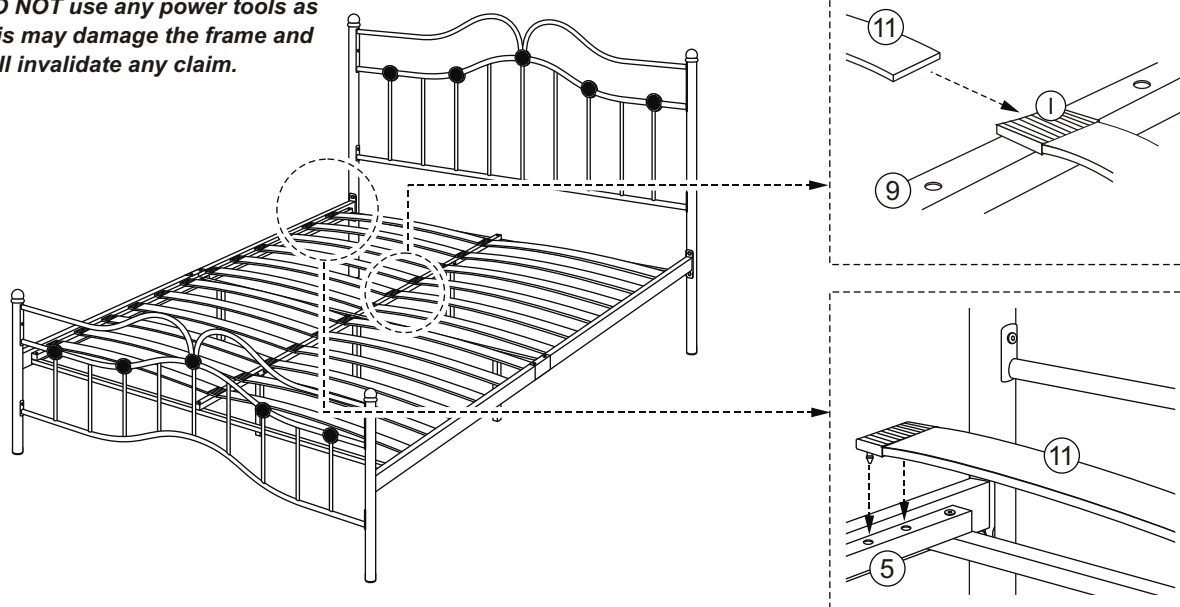
Step 9 : Place hardware part (J) onto each Slat (11), at one end only.

DO NOT use any power tools as this may damage the frame and will invalidate any claim.



Step 10: Slide the Slats (11) into hardware part (I) on the Mid Support (9) then press the other ends into the Side Supports (5) firmly.

DO NOT use any power tools as this may damage the frame and will invalidate any claim.



Additional Information :

- For complete product information, images and dimension diagrams please visit the website www.birlea.com.
- If you have any issues with your item please contact the retailer directly you purchased it from who will be able to resolve any issues with Birlea.
- Why don't you send us photos of your assembled furniture to info@birlea.com to be shared in our [#birleahome](https://www.instagram.com/birleahome) feature on instagram.